



**New Product – Key Facts**

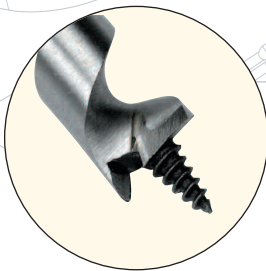
**Product:**

**AUGER DRILL BIT**

- Drill bit diameters available from 5 mm to 40 mm.
- Drill bit total lengths available from 150 mm to 400 mm.

**Application:**

- Designed for all general wood boring.
- Providing a superior performance and quality finish.



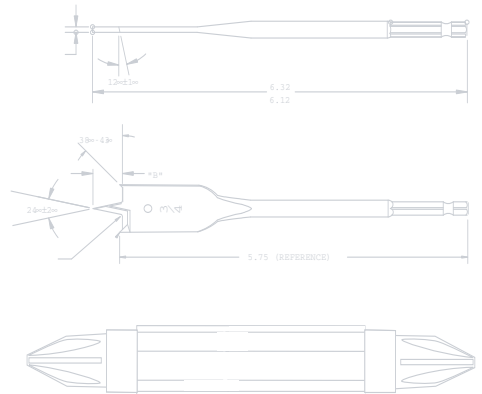
**COARSE SCREW POINT**  
for faster boring into all types of wood.

**SINGLE SPUR DESIGN**  
for smoother hole finish.

**EXTRA WIDE FLUTES**  
The auger bit has extra wide flutes for fast chip removal.

**FULLY HARDENED**  
Entire drill bit is fully hardened for extra durability.

**HEXAGON SHANK DESIGN**  
Hexagon Shank prevents slipping in drill chuck or bit extension.



DRAWING SPECIFIC  
DRAWING SCALE  
DRAWING NUMBER  
SHEET NUMBER  
DRAWING SCALE

PROPRIETARY AND CONFIDENTIAL  
THE INFORMATION CONTAINED IN THIS DRAWING IS THE SOLE PROPERTY OF IRWIN INDUSTRIAL TOOLS GMBH. ANY REPRODUCTION IN PART OR AS A WHOLE WITHOUT WRITTEN PERMISSION OF IRWIN INDUSTRIAL TOOLS GMBH IS PROHIBITED.

TOLERANCES  
LEN 0 ANG 0  
DIMENSIONS ARE IN DATE 22-Sep  
DO NOT SCALE DWG DRAWN BY 0  
COMPONENT VOLUME

**IRWIN**  
IRWIN INDUSTRIAL TOOLS GMBH  
Lilienhallesstrasse 7  
D - 85399 Hallbergmoos  
Phone: +49 (0)811 9598-0

DESCRIPTION  
DWG ISSUE NAME DATE SIGN  
DWG NO DRW0001

CHECK DATE  
ENG. MANAGER DATE

A3



New Product – Key Facts

▶ AUGER DRILL BITS							
Part #	Dia. Ø mm	Working Length	Total Length	Shank	EAN	Master Qty	
10502738	5,0	X 73	/ 150	4,5	5709131135579	50	
10502739	6,0	X 114	/ 191	5,8	5709131133490	50	
10502740	6,0	X 323	/ 400	5,8	5709131133957	50	
10502741	8,0	X 114	/ 191	6,8	5709131133513	50	
10502742	8,0	X 323	/ 400	6,8	5709131133971	50	
10502744	10,0	X 114	/ 191	7,4	5709131133537	50	
10502745	10,0	X 323	/ 400	7,4	5709131133995	50	
10502747	11,0	X 114	/ 191	7,4	5709131133551	50	
10502748	12,0	X 114	/ 191	9,2	5709131133575	50	
10502749	12,0	X 323	/ 400	9,2	5709131134015	30	
10502751	13,0	X 114	/ 191	9,2	5709131133599	50	
10502752	13,0	X 323	/ 400	9,2	5709131134039	30	
10502754	14,0	X 114	/ 191	9,2	5709131133612	50	
10502755	14,0	X 323	/ 400	9,2	5709131134053	30	
10502756	15,0	X 114	/ 191	9,2	5709131133636	25	
10502757	16,0	X 114	/ 191	9,2	5709131133650	25	
10502758	16,0	X 323	/ 400	9,2	5709131134077	15	
10502760	17,0	X 114	/ 191	9,2	5709131133674	25	
10502761	18,0	X 138	/ 215	11,0	5709131133698	25	
10502762	18,0	X 323	/ 400	11,0	5709131134091	15	
10502764	19,0	X 138	/ 215	11,0	5709131133711	20	
10502765	19,0	X 323	/ 400	11,0	5709131134114	10	
10502766	20,0	X 138	/ 215	11,0	5709131133735	20	
10502767	20,0	X 323	/ 400	11,0	5709131134138	10	
10502769	22,0	X 138	/ 215	11,0	5709131133759	20	
10502770	22,0	X 323	/ 400	11,0	5709131134152	10	
10502772	24,0	X 138	/ 215	11,0	5709131133773	15	
10502773	24,0	X 323	/ 400	11,0	5709131134176	5	
10502774	25,0	X 138	/ 215	11,0	5709131133797	15	
10502775	25,0	X 323	/ 400	11,0	5709131134190	5	
10502776	26,0	X 138	/ 215	11,0	5709131133810	15	
10502777	26,0	X 323	/ 400	12,6	5709131134213	5	
10502778	28,0	X 163	/ 240	12,6	5709131133834	15	
10502779	28,0	X 323	/ 400	12,6	5709131134237	5	
10502780	30,0	X 163	/ 240	12,6	5709131133858	10	
10502781	30,0	X 323	/ 400	12,6	5709131134251	5	
10502782	32,0	X 163	/ 240	12,6	5709131133872	10	
10502783	32,0	X 323	/ 400	12,6	5709131134275	3	
10502784	35,0	X 163	/ 240	12,6	5709131133896	3	
10502785	35,0	X 323	/ 400	12,6	5709131134312	3	
10502786	36,0	X 323	/ 400	12,6	5709131134336	2	
10502787	38,0	X 163	/ 240	12,6	5709131133919	5	
10502788	40,0	X 163	/ 240	12,6	5709131133933	5	
10502789	330 mm Extension for 14-19 mm Auger bits				5709131134732	25	
10502790	330 mm Extension for 20-32 mm Auger bits				5709131134756	25	

▶ AUGER DRILL BITS – SET		
10502791	10 pcs. wallet 1pcs. 6.0, 8.0, 10.0, 12.0, 14.0, 16.0, 20.0, 22.0, 28.0 and 30 mm, standard length	5709131148838 3

CHECK DATE ENG. MANAGER DATE	DRAWING SPECIFICATION DRAWING SCALE SHEET NUMBER DRAWING SIZE A3	PROPRIETARY AND CONFIDENTIAL THE INFORMATION CONTAINED IN THIS DRAWING IS THE SOLE PROPERTY OF IRWIN INDUSTRIAL TOOLS GMBH. ANY REPRODUCTION IN PART OR AS A WHOLE WITHOUT WRITTEN PERMISSION OF IRWIN INDUSTRIAL TOOLS GMBH IS PROHIBITED.	TOLERANCES DIMENSIONS ARE IN DO NOT SCALE DWG COMPONENT VOLUME	IRWIN IRWIN INDUSTRIAL TOOLS GMBH L. Benitzstrasse 7 D - 85399 Hallbergmoos Phone: +49 (0)811 9598-0	DESCRIPTION DWG NO DRW0001
	DATE DATE	DATE DATE	DATE DATE	DATE DATE	DATE DATE