



New Product – Key Facts

Product:

HSS PRO COBALT DRILL BIT

- Drill bit diameters available from 1 mm to 13 mm.
- Drill bit total lengths available from 34 mm to 101 mm.
- Din standard 338 available.

Application:

- Perfect for drilling stainless steel and other high alloy steels.

GROUND FLUTE
Industrial quality ground flute for high accuracy drilling and fast removal of chips.

SURFACE FINISH
Attractive golden tempered surface finish

135° SPLIT POINT GRINDING
ensures perfect centring and reduced drilling pressure

COBALT ALLOYED
Drill bit body manufactured from high quality HSS steel containing 5% Cobalt (Co). The added 5% Cobalt improves the red hardness (heat resistance) of the drill bit and results in significantly extended life.

DWG ISSUE	NAME	DATE	SIGN

DESCRIPTION

DRW0001



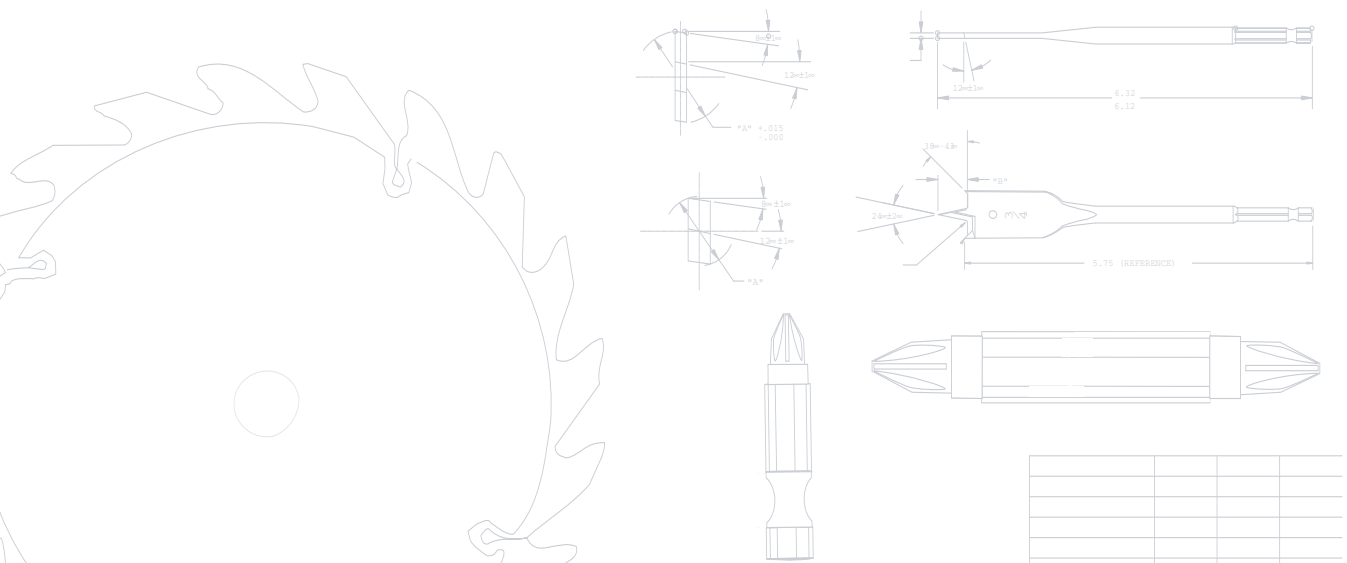
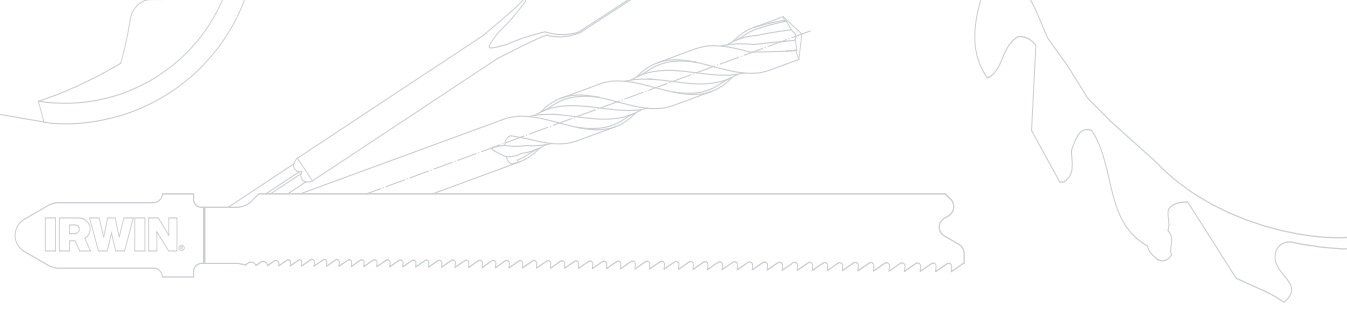
New Product – Key Facts

HSS PRO COBALT DRILL BITS DIN 338 – GROUND QUALITY							
Part #	Drill Diameter mm	x	Working Length	Total Length	EAN	Master Qty	
10502511	1,0	X	12	/ 34 CYL, 10 pcs.	5706915025118	50	
10502512	1,5	X	18	/ 40 CYL, 10 pcs.	5706915025125	50	
10503594	1,75	X	18	/ 40 CYL, 10 pcs.	5706915035940	50	
10502513	2,0	X	24	/ 49 CYL, 10 pcs.	5706915025132	50	
10503595	2,25	X	24	/ 49 CYL, 10 pcs.	5706915305957	50	
10502514	2,5	X	30	/ 57 CYL, 10 pcs.	5706915025149	50	
10502515	3,0	X	33	/ 61 CYL, 10 pcs.	5706915025156	50	
10502516	3,1	X	36	/ 65 CYL, 10 pcs.	5706915025163	50	
10502517	3,2	X	36	/ 65 CYL, 10 pcs.	5706915025170	50	
10503596	3,25	X	36	/ 65 CYL, 10 pcs.	5706915035964	50	
10502518	3,3	X	36	/ 65 CYL, 10 pcs.	5706915025187	50	
10502519	3,5	X	39	/ 70 CYL, 10 pcs.	5706915025194	50	
10502520	4,0	X	43	/ 75 CYL, 10 pcs.	5706915025200	50	
10502521	4,1	X	43	/ 75 CYL, 10 pcs.	5706915025217	50	
10502522	4,2	X	43	/ 75 CYL, 10 pcs.	5706915025224	50	
10503597	4,25	X	43	/ 75 CYL, 10 pcs.	5706915035971	50	
10502523	4,3	X	47	/ 80 CYL, 10 pcs.	5706915025231	50	
10502524	4,5	X	47	/ 80 CYL, 10 pcs.	5706915025248	50	
10502525	4,8	X	52	/ 86 CYL, 10 pcs.	5706915025255	50	
10502526	4,9	X	52	/ 86 CYL, 10 pcs.	5706915025262	50	
10502527	5,0	X	52	/ 86 CYL, 10 pcs.	5706915025279	50	
10502528	5,1	X	52	/ 86 CYL, 10 pcs.	5706915025286	50	
10503598	5,25	X	52	/ 86 CYL, 10 pcs.	5706915035988	50	
10502529	5,5	X	57	/ 93 CYL, 10 pcs.	5706915025293	20	
10502530	6,0	X	57	/ 93 CYL, 10 pcs.	5706915025309	50	
10503599	6,25	X	57	/ 93 CYL, 10 pcs.	5706915035995	20	
10502531	6,5	X	63	/ 101 CYL, 10 pcs.	5706915025316	20	
10503600	6,75	X	63	/ 101 CYL, 10 pcs.	5706915036008	20	
10502532	7,0	X	69	/ 109 CYL, 10 pcs.	5706915025323	20	
10502533	7,5	X	69	/ 109 CYL, 5 pcs.	5706915025330	40	
10503601	7,75	X	69	/ 109 CYL, 5 pcs.	5706915036015	40	
10502534	8,0	X	75	/ 117 CYL, 5 pcs.	5706915025347	40	
10502535	8,5	X	75	/ 117 CYL, 5 pcs.	5706915025354	40	
10502536	9,0	X	81	/ 125 CYL, 5 pcs.	5706915025361	40	
10502537	9,5	X	81	/ 125 CYL, 5 pcs.	5706915025378	40	
10502538	10,0	X	87	/ 133 CYL, 5 pcs.	5706915025385	40	
10503602	10,25	X	87	/ 133 CYL, 5 pcs.	5706915036022	40	
10502539	11,0	X	94	/ 142 CYL, 5 pcs.	5706915025392	20	
10502540	12,0	X	101	/ 151 CYL, 5 pcs.	5706915025408	20	
10502541	13,0	X	101	/ 151 CYL, 5 pcs.	5706915025415	20	
10502507	1,0	X	12	/ 34 CYL (2 pcs)	5709131282532	200	
10502508	1,5	X	18	/ 40 CYL (2 pcs)	5709131282570	200	
10502509	2,0	X	24	/ 49 CYL (2 pcs)	5709131282617	200	
10502510	2,5	X	30	/ 57 CYL (2 pcs)	5709131282655	200	
10502542	3,0	X	33	/ 61 CYL	5709131282693	200	
10502543	3,1	X	36	/ 65 CYL	5709131282730	200	
10502544	3,2	X	36	/ 65 CYL	5709131282778	200	
10502545	3,3	X	36	/ 65 CYL	5709131282815	200	
10502546	3,5	X	39	/ 70 CYL	5709131282853	200	
10502547	4,0	X	43	/ 75 CYL	5709131282891	200	
10502548	4,1	X	43	/ 75 CYL	5709131282938	200	
10502549	4,2	X	43	/ 75 CYL	5709131282976	200	
10502550	4,3	X	47	/ 80 CYL	5709131283010	200	
10502551	4,5	X	47	/ 80 CYL	5709131283058	200	
10502552	4,8	X	52	/ 86 CYL	5709131283096	200	
10502553	4,9	X	52	/ 86 CYL	5709131283133	200	
10502554	5,0	X	52	/ 86 CYL	5709131283171	200	
10502555	5,1	X	52	/ 86 CYL	5709131283218	200	
10502556	5,5	X	57	/ 93 CYL	5709131283256	200	
10502557	6,0	X	57	/ 93 CYL	5709131283294	200	
10502558	6,5	X	63	/ 101 CYL	5709131283331	100	
10502559	7,0	X	69	/ 109 CYL	5709131283379	100	
10502560	7,5	X	69	/ 109 CYL	5709131283416	100	
10502561	8,0	X	75	/ 117 CYL	5709131283454	100	
10502562	8,5	X	75	/ 117 CYL	5709131283492	100	
10502563	9,0	X	81	/ 125 CYL	5709131283539	100	
10502564	9,5	X	81	/ 125 CYL	5709131283577	100	
10502565	10,0	X	87	/ 133 CYL	5709131283614	100	
10502566	11,0	X	94	/ 142 CYL	5709131283652	50	
10502567	12,0	X	101	/ 151 CYL	5709131283690	50	
10502568	13,0	X	101	/ 151 CYL	5709131283737	50	



New Product – Key Facts

HSS PRO COBALT DRILL BITS DIN 338 – GROUND QUALITY – CASSETTES			
Part #	Description	EAN	Master Qty
10503730	HSS Pro Cobolt cassette 25 pcs. from 1,0 - 13,0 in steps of 0,5 mm	5706915037302	
10502569	HSS Pro Cobolt cassette 19 pcs. from 1,0 - 10,0 in steps of 0,5 mm	5709131282433	20
10502570	5 pcs. HSS Pro Cobolt cassette, 4,0, 5,0, 6,0, 8,0, 10,0 mm	5709131282464	60
10503990	15 pcs. HSS Pro Cobolt cassette, 1,5, 2,0, 2,5, 3,0, 3,5, 4,0, 4,5, 5,0, 5,5, 6,0, 6,5, 7,0, 8,0, 9,0, 10,0 mm	5706915039900	



DWG ISSUE	NAME	DATE	SIGN

CHECK _____ DATE _____ ENG. MANAGER _____ DATE _____	DRAWING SPECIFICATION DRAWING SCALE SHEET NUMBER 1 DRAWING SIZE A3	PROPRIETARY AND CONFIDENTIAL <small>THE INFORMATION CONTAINED IN THIS DRAWING IS THE SOLE PROPERTY OF IRWIN HOLDINGS GMBH. ANY REPRODUCTION IN PART OR AS A WHOLE WITHOUT WRITTEN PERMISSION OF IRWIN HOLDINGS GMBH IS PROHIBITED.</small>	TOLERANCES DIMENSIONS ARE IN DO NOT SCALE DWG COMPONENT VOLUME 0	IRWIN INDUSTRIAL TOOLS GMBH L. Lichtenhalsstrasse 7 D - 85399 Hallbergmoos Phone: +49 (0)811 9598-0	DESCRIPTION DWG NO DRW0001
---	---	---	---	--	-------------------------------