



**New Product – Key Facts**

**Product:**

**Splitproof Bevel Edge Chisel - M750**

- Solid one piece forging
- Fully hardened blade, sharpened and ready for use

**Application:**

ideal for all types of hard, demanding woodwork in the shop or on the building site.

Blade hardened and annealed for an edge that is slow to blunt yet easy to sharpen.

Sharpened ready for use.

Blade hardened up to the last 25mm for a long working life.

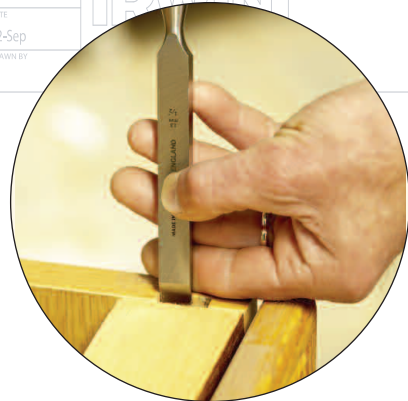
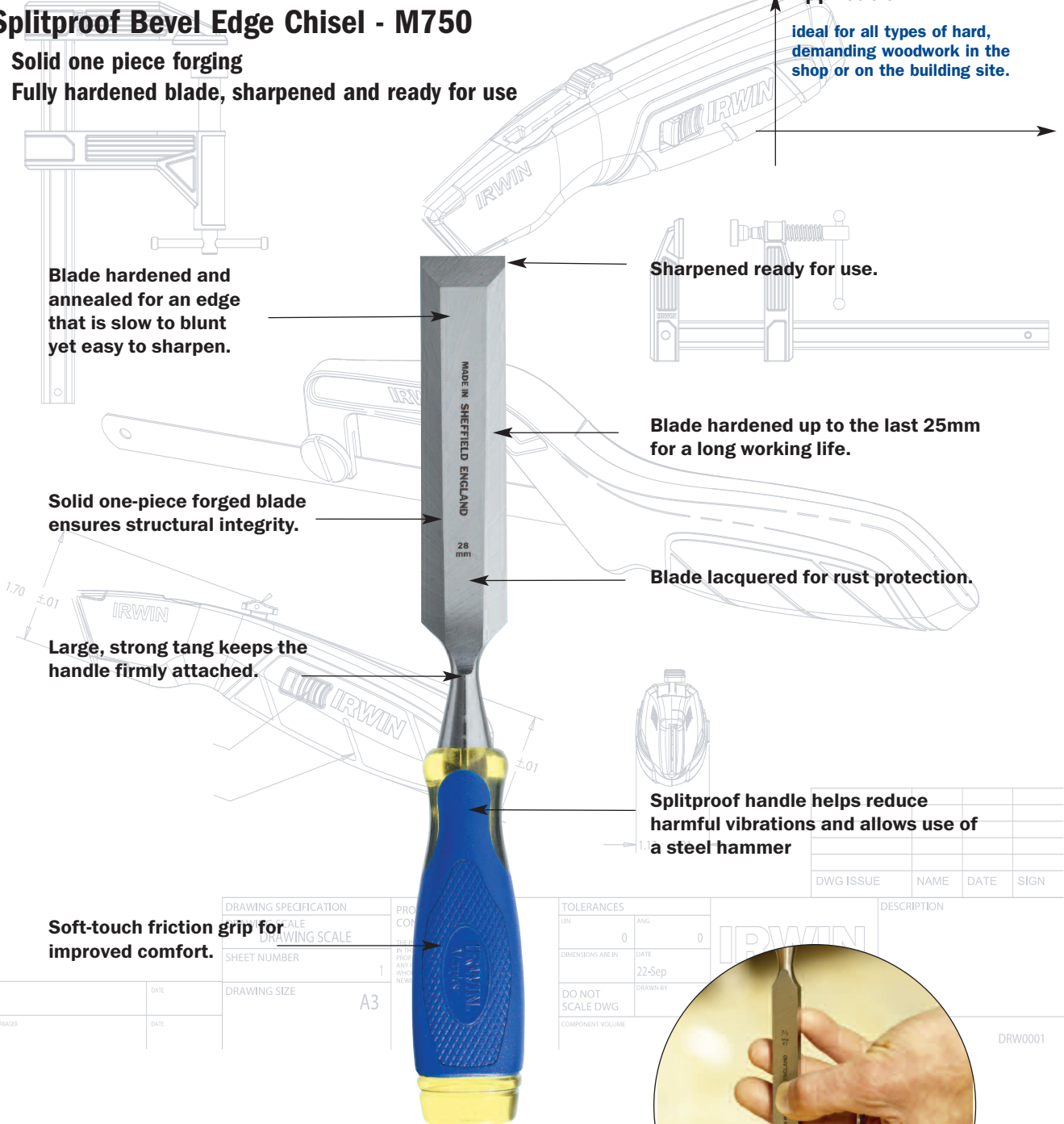
Solid one-piece forged blade ensures structural integrity.

Blade lacquered for rust protection.

Large, strong tang keeps the handle firmly attached.

Splitproof handle helps reduce harmful vibrations and allows use of a steel hammer

Soft-touch friction grip for improved comfort.



DRAWING SPECIFICATION	PRO COM
DRAWING SCALE	1
SHEET NUMBER	A3
DRAWING SIZE	

TOLERANCES	DATE
0	22-Sep
DIMENSIONS ARE IN	DRAWN BY
DO NOT SCALE DWG	
COMPONENT VOLUME	

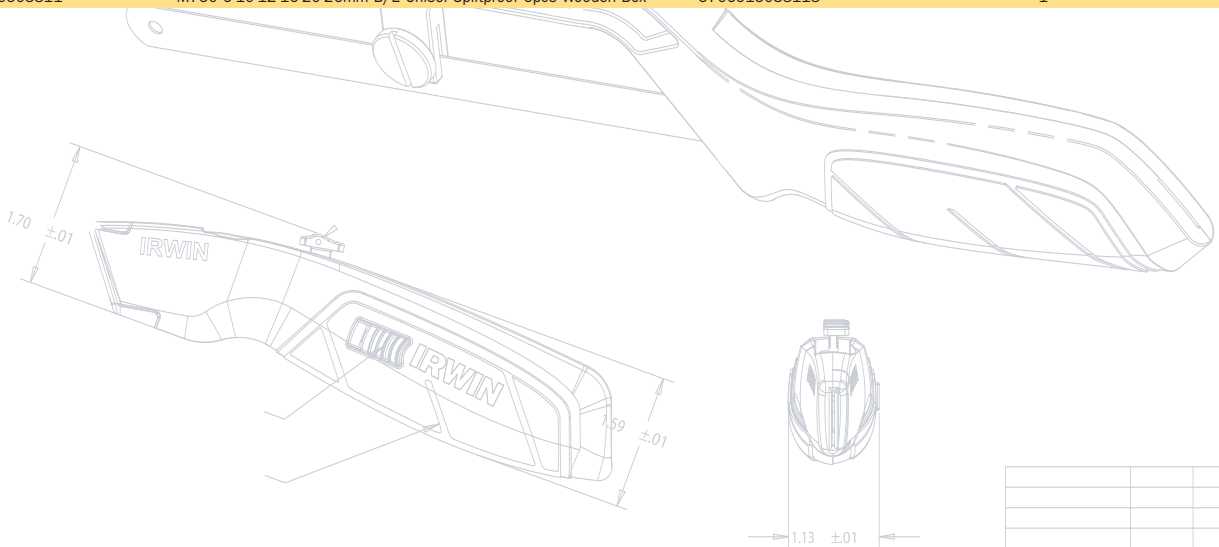
DWG ISSUE	NAME	DATE	SIGN

DESCRIPTION	DRW0001



New Product – Key Facts

IRWIN SPLITPROOF BEVEL EDGE CHISEL			
Product Code	Product Description	EAN Code	Shelf Pack Size
10501672	M750 4mm B/E Chisel Splitproof	5706915016727	4
10501673	M750 6mm / 1/4" B/E Chisel Splitproof	0734442201151	4
10501674	M750 8mm / 5/16" B/E Chisel Splitproof	5706915016741	4
10501675	M750 10mm / 3/8" B/E Chisel Splitproof	0734442201168	4
10501676	M750 12mm B/E Chisel Splitproof	5706915016765	4
10501678	M750 14mm B/E Chisel Splitproof	5706915016789	4
10501679	M750 15mm B/E Chisel Splitproof	5706915016796	4
10501680	M750 16mm / 5/8" B/E Chisel Splitproof	0734442201267	4
10501681	M750 18mm B/E Chisel Splitproof	5706915016819	4
10501683	M750 20mm B/E Chisel Splitproof	5706915016833	4
10501684	M750 22mm B/E Chisel Splitproof	5706915016840	4
10501685	M750 25mm / 1" B/E Chisel Splitproof	0734442201199	4
10501686	M750 26mm B/E Chisel Splitproof	5706915016864	4
10501687	M750 28mm B/E Chisel Splitproof	5706915016871	4
10501688	M750 30mm B/E Chisel Splitproof	5706915016888	4
10501689	M750 32mm / 1 1/4" B/E Chisel Splitproof	0734442201205	4
10501690	M750 35mm B/E Chisel Splitproof	5706915016901	4
10501691	M750 38mm / 1 1/2" B/E Chisel Splitproof	0734442201212	2
10501692	M750 40mm B/E Chisel Splitproof	5706915016925	2
10504711	M750 6-12-20mm B/E Chisel Splitproof 3 pcs wallet set	5706915047110	4
10504712	M750 10-15-20mm B/E Chisel Splitproof 3 pcs wallet set	5706915047127	4
10503733	M750 6-10-15-20-25-35mm B/E Chisel Splitproof 6pcs Wooden Box	5706915037333	1
10503811	M750 6-10-12-16-20-26mm B/E Chisel Splitproof 6pcs Wooden Box	5706915038118	1



DWG ISSUE	NAME	DATE	SIGN

CHECK _____ DATE _____ ENG. MANAGER _____ DATE _____	DRAWING SPECIFICATION DRAWING SCALE DRAWING SCALE SHEET NUMBER DRAWING SIZE A3	PROPRIETARY AND CONFIDENTIAL  THE INFORMATION CONTAINED IN THIS DRAWING IS THE SOLE PROPERTY OF IRWIN HOLDINGS GMBH. ANY REPRODUCTION IN PART OR AS A WHOLE WITHOUT WRITTEN PERMISSION OF IRWIN HOLDINGS GMBH IS PROHIBITED.	TOLERANCES UN: 0 ANG: 0 DIMENSIONS ARE IN: DATE: 22-Sep DO NOT SCALE DWG: DRAWN BY: 0 COMPONENT VOLUME:	IRWIN IRWIN INDUSTRIAL TOOLS GMBH L. Lichtenhalsstrasse 7 D - 85399 Hallbergmoos Phone: +49 (0)811 9598-0	DESCRIPTION  DWG NO: DRW0001
---	---	--	---	---	------------------------------------